

**THORENS TP-62 ISOTRACK PLUG-IN-ARM
SUPPLEMENTARY
PICK-UP CARTRIDGE MOUNTING INSTRUCTIONS**

The following assortment of pick-up cartridge mounting hardware is supplied in the plastic bag enclosed in the storage/alignment box:

Spacer Thickness		Screw Lengths		
Quantity	Size	Quantity	Size	
1	0.5mm	2*	8.0mm (20/64")	
1*	1.0mm	2	10.0mm (25/64")	
1	1.5mm	2	12.0mm (30/64")	
1	2.0mm	2	14.0mm (35/64")	
1	2.5mm	2	16.0mm (40/64")	
1	3.0mm	2	18.0mm (45/64")	
	Washers	2	20.0mm (50/64")	
6	0.5mm	2	22.0mm (55/64")	

(*Mounted on TP-62 Cartridge Arm)

The proper size spacer, screws and number of washers required for mounting the pick-up cartridge are listed below for the currently most popular model pick-up cartridges and their manufacturers.

For pick-up cartridges not on this list please refer to the general pick-up cartridge mounting procedures described in the Thorens Isotrack Turntable Owner's Manual.

**THORENS TP-62 ISOTRACK PLUG-IN-ARM
SUPPLEMENTARY
PICK-UP CARTRIDGE
MOUNTING INSTRUCTIONS**



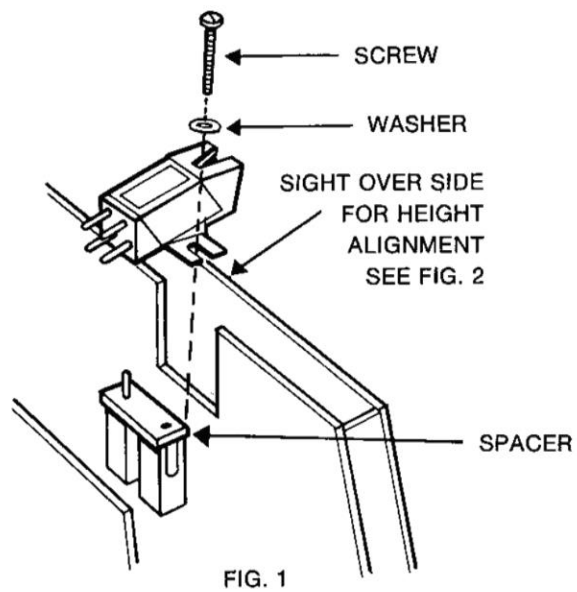
Tri-Tel associates limited
105 Sparks Avenue, Willowdale, Ontario, Canada M2H 2S5

Cartridge Installation:

The plastic box serves as a storage compartment for the mounted pick-up cartridge and also as an alignment gauge for mounting the pick-up cartridge.

The TP-62 plug-in-arm is designed to accommodate pick-up cartridges employing standard $\frac{1}{2}$ " mounting centers, weighing between 3 and 7 grams.

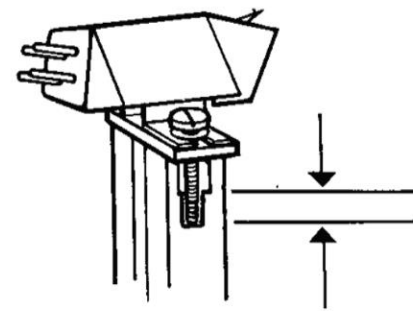
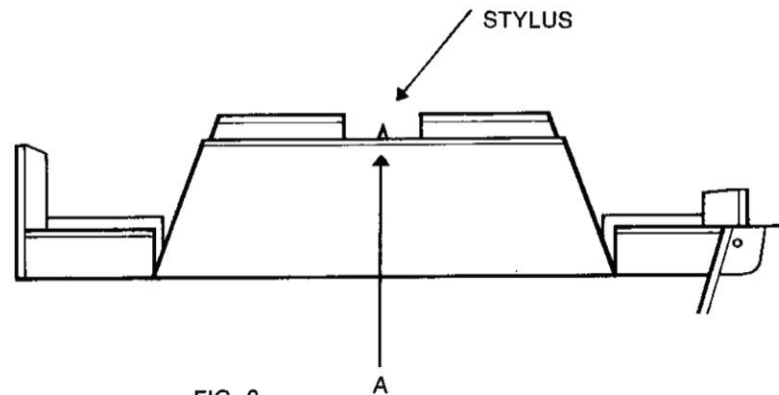
NOTE: Use only the metric thread screws supplied with the TP-62 plug-in-arm to secure the pick-up cartridge.



Open the TP-62 storage/alignment box and place the pick-up cartridge on the height gauge platform as shown in Figure 1.

Sight over the side of the storage/alignment box as shown in Figure 2. The stylus should be just visible above the front edge as shown by the arrow A.

Select a screw length sufficient to fit as positioned as shown in Figure 3. The screw should extend into the area as indicated by the arrows. Add washers, if necessary, as shown in Figure 1 if the screw is too long.



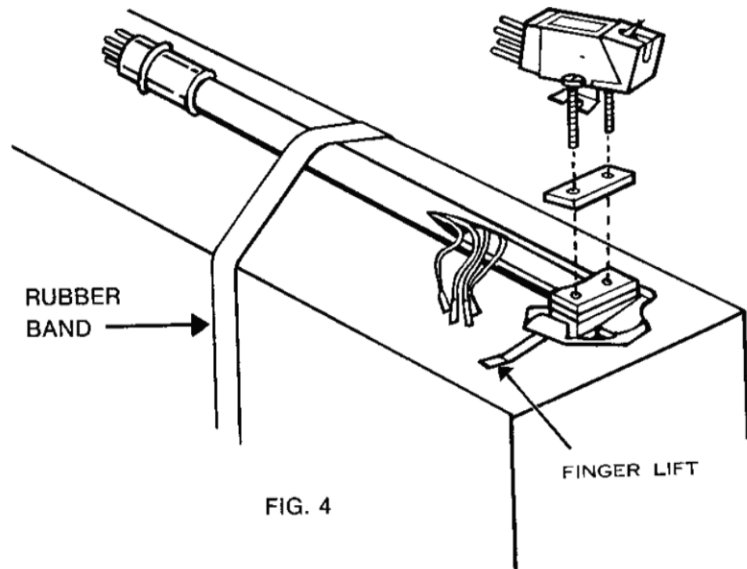


FIG. 4

Cartridge Adjustment:

Close the storage/alignment box and turn it over (Thorens imprinted side down). Place the TP-62 plug-in-arm into the indentation and secure with a rubber band as shown in Figure 4. Slide the head assembly along the tube until all parts fit into the storage/alignment box indentations. Remove the 1.0mm spacer and two 8.0mm screws from the head assembly, if not done so before in selecting the proper spacer and screw sizes.

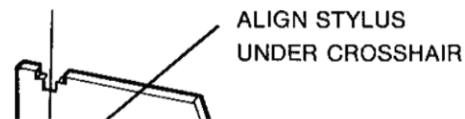
Mount the pick-up cartridge with selected spacer screws and washers as shown in Figure 4.

Do not tighten the screws, leave the assembly loose for further precise alignment.

Carefully remove the assembled pick-up cartridge and plug-in-arm and insert into the storage/alignment holder as shown in Figure 5. Make certain that the plug-in-arm fits firmly back into the holder in the direction indicated by arrow B. Fit a thin thread into the slots as shown in Figure 5 to check the alignment position. Slide the head assembly along the tube or rotate the head assembly until the stylus tip is just under the thread.

After final alignment has been completed tighten the mounting screws. *Do not* overtighten. (The mounting screws must be tightened firmly to assure the mounted pick-up cartridge will not rotate or slide on the plug-in-arm tube).

NOTE: If the pick-up cartridge mounting screws selected are too long the finger lift (see fig. 4) may be detached. Select shorter screws as shown in Figure 3 or use washers as shown in Figure 1.



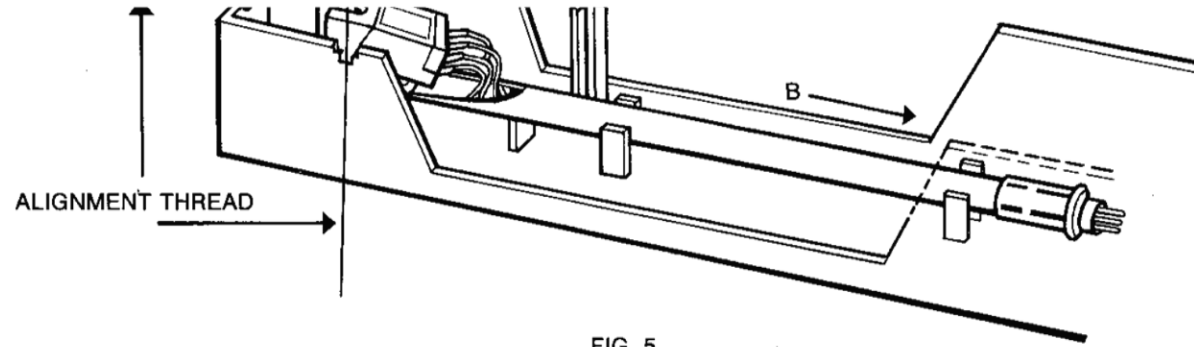


FIG. 5

Cartridge Connection:

The cartridge connections are as follows:

- Red Right Channel, signal
- Green Right Channel, shield (ground)
- White Left Channel, signal
- Blue Left Channel, shield (ground)

The Red and Green leads comprise the monaural signal and a ground connection.

